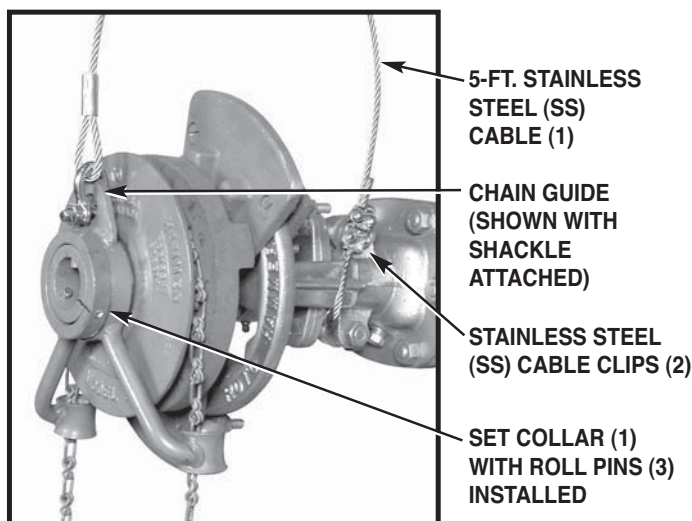




Roto Hammer Series Chainwheels

RETAINING CABLE KIT Installation Instructions

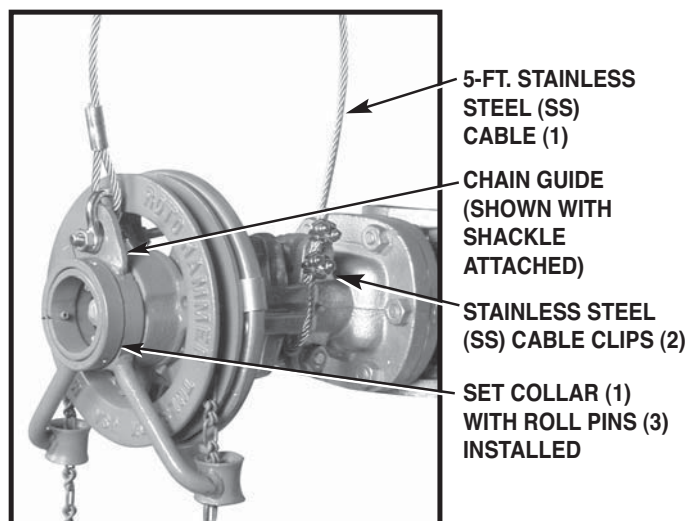
E&M Series Chainwheels



RCK 1/4" Dia. Cable Fits Models E15, E15AL, E18, E18AL, M15, M18
RCK 5/16" Dia. Cable Fits Models E24, E24AL, E30, E30AL, M24, M30

1. Install the Shackle through the loop on the swaged end of the Retaining Cable and through the hole on the top of the Chain Guide. Be sure the Shackle is tightly connected and secured with the Cotter Pin.
2. Place the two (2) SS Cable Clips loosely on the other end of the Cable. Thread that end of the Cable through the valve yoke or some other convenient anchoring point on or near the valve. Make a loop bringing the end of the Cable back through the clips. Move the Clips up close to the anchor point and using a common open-end wrench, firmly tighten all four (4) nuts on the two (2) Cable Clips.
3. Check the Cable Clip nuts to make sure all four (4) are wrench-tight. The Retaining Cable is now properly installed.

C&CL Series Chainwheels



RCK 1/4" Dia. Cable Fits Models CL18, CL21, CL24, C15, C18
RCK 5/16" Dia. Cable Fits Model C30

1. Install the Shackle through the loop on the swaged end of the Retaining Cable and through the hole on the top of the Chain Guide. Be sure the Shackle is tightly connected and secured with the Cotter Pin.
2. Place the two (2) SS Cable Clips loosely on the other end of the Cable. Thread that end of the Cable through the valve yoke or some other convenient anchoring point on or near the valve. Make a loop bringing the end of the Cable back through the clips. Move the Clips up close to the anchor point and using a common open-end wrench, firmly tighten all four (4) nuts on the two (2) Cable Clips.
3. Check the Cable Clip nuts to make sure all four (4) are wrench-tight. The Retaining Cable is now properly installed.



Street Address:

2804 W. 40th Street, Tulsa, Oklahoma 74107

Telephone: 918-446-3500 • Toll Free: 800-477-7686 Fax: 918-446-6218

E-mail: sales@rotohammerinc.com • Website: www.rotohammerinc.com



Roto Hammer Chainwheel Retaining Cable Kit

**THIS KIT FITS ALL
ROTO HAMMER MODELS
(or equal) LISTED BELOW:**

CL-Series: CL4, CL6, CL7.5, CL9, CL12, CL15

C-Series: C9, C12

E-Series: E6AL, E9, E9AL, E12, E12AL

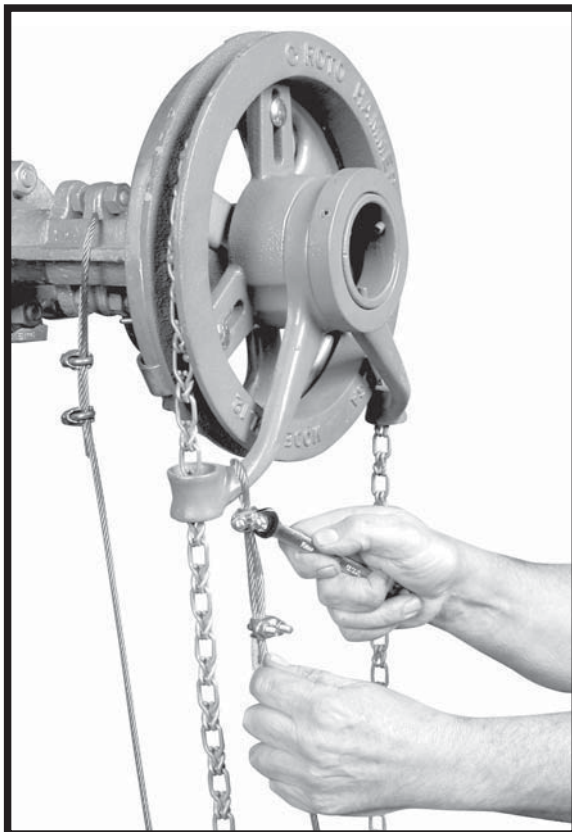
M-Series: M9, M12



Each Kit Contains:

One (1) 5-ft. length of 3/16" 304 Stainless Steel (SS) Cable. (Cable: 3,700 lb. tensile strength.) Sealed ends prevent unwinding and ease in threading.

Four (4) 3/16" 304 Stainless Steel (SS) cable grip clips. Two clips for each end of the cable.



Installation Instructions

- 1.** Place two cable clips loosely on one end of the cable. Thread that end through the valve yoke or some other convenient anchoring point. Make a loop, bringing the end back through the two clips. Move the clips up close to the anchor point and, using a common open-end wrench firmly tighten all four nuts on the clips.
- 2.** Place the two remaining cable clips loosely on the other end of the cable. Make a loop like that described in #1 above and place the loop around one "arm" of the chain guide as shown. Snug the loop closely to the "arm" and position the clips to hold it in place. Tighten all four clip nuts as described in #1 above.
- 3.** Check cable clip nuts to make sure all eight nuts are wrench-tight. The Retaining Cable is now properly installed.

Your Single Source For Manual Valve Operating Systems-Worldwide!



Street Address: 2804 W. 40th Street, Tulsa, Oklahoma 74107
Telephone: 918-446-3500
Toll Free: 800-477-7686; Fax: 918-446-6218
E-mail: sales@rotohammerinc.com
Website: www.rotohammerinc.com